

PYROBELITE 7

**FIRE RATING:
30 MINUTES INTEGRITY/LOW RADIATION GLASS**

DESCRIPTION

Pyrobelite is a laminated glass assembled with one clear intumescent interlayer.

In the event of fire, the interlayer expands at around 120 °C and transforms into a rigid and opaque fire shield, which enables the glazing to meet the integrity criterion of BS 476: Part 22: 1987 and to keep the heat radiation to a very low and safe level.

TECHNICAL DATA

SPECIFICATION & IDENTIFICATION	PYROBELITE 7 EW30 AGC	PYROBELITE 7EG EW30 AGC	PYROBELITE 7 or 7EG EW30 AGC
Glazing Type	Single	Single	Double Glazed
Grade	Internal	External	External
Nominal Thickness	7,9 mm	11,3 mm	a) 6/12/Pyrobelite 7EG = 29,3 mm b) 6.8/12/Pyrobelite 7 = 26,7 mm
Thickness Tolerance	± 0,9 mm	± 1 mm	± 2 mm
Weight	17 kg/m ²	25 kg/m ²	a) 40 kg/m ² b) 33 kg/m ²
Dimension Tolerance	± 2 mm	± 2 mm	± 3 mm
Light Transmission (EN410)	89 %	87 %	78 %
U _g Value (EN673)	5.7 W/(m ² .K)	5.5 W/(m ² .K)	2.8 W/(m ² .K)
Safety Rating (BS 6206) (EN 12600)	Class C 3B3	Class A 1B1	Class A (*) a) NPД / 1B1 b) 1B1 / 3B3
Sound Reduction R _w index (EN12758)	34 dB	35 dB	37 dB (estimated)
(*) On Pyrobelite 7EG or 6.8 laminated glass side NPД = No Performance Determined			

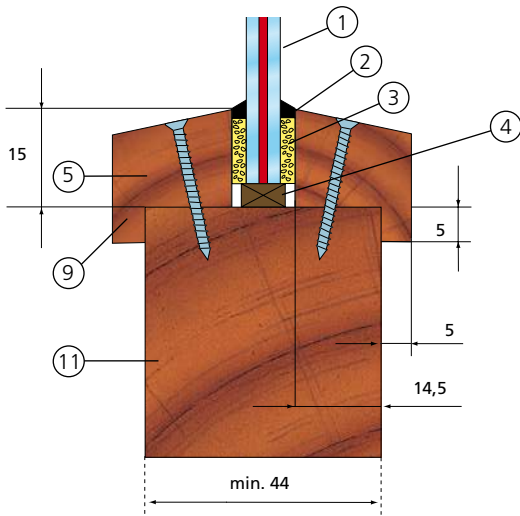
APPLICATIONS AND CERTIFICATION ACCORDING TO BS 476:PART 22:1987

APPLICATIONS	MAXIMUM DIMENSIONS (*) (Width x Height)	GLASS TYPE	CERTIFICATION
Timber Doorsets (Certifire & Q-Mark approved)	890 x 2300 mm	Pyrobelite 7 & 7EG	Certifire CF377
	710 x 1830 mm	Pyrobelite 7	Chiltern Chilt/A05178
Timber Screens	1360 x 2270 mm 840 x 2900 mm 1758 x 1758 mm	Pyrobelite 7 & 7EG	Certifire CF377
	1400 x 2300 mm 1794 x 1794 mm	Pyrobelite 7 & 7EG Double Glazed	Certifire CF377
Steel Doorsets - RP Technik Hermetic 40	826 x 2086 mm 875 x 1968 mm	Pyrobelite 7 & 7EG Double Glazed	Certifire CF377
Steel Screens	1200 x 2300 mm 1661 x 1661 mm	Pyrobelite 7 & 7EG	Certifire CF377
Steel Screens - Jansen Economy 50	1170 x 2170 mm	Pyrobelite 7	BRE CC89390
Steel Screens - Forster Presto	669 x 1911 mm	Pyrobelite 7	IFC IFCA/97043A
Aluminium Screens - Schüco BF60	1200 x 2300 mm	Pyrobelite 7, 7EG & Double Glazed	IFC IFCA/02110A
(*) For alternative dimensions within pane area please consult AGC Flat Glass Europe			

PYROBELITE 7

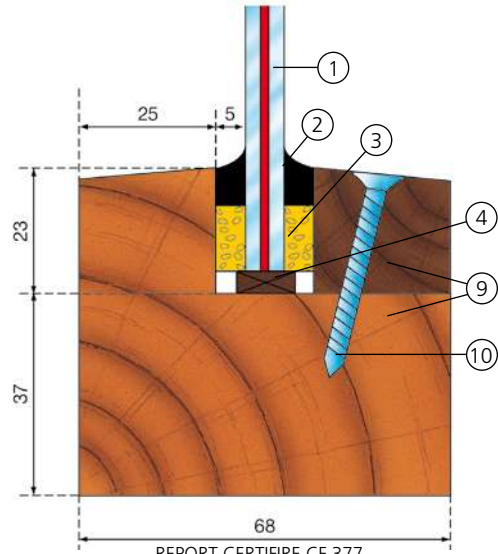
(dimensions in mm)

Timber Doorset



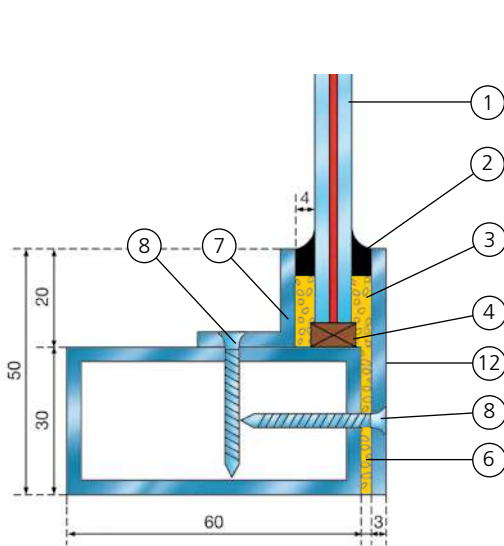
REPORT CHILT/A05178

Timber Screen



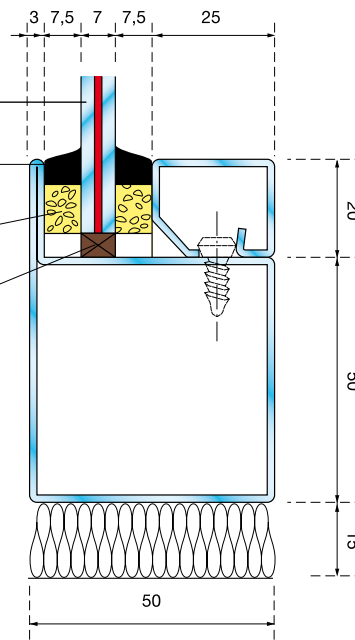
REPORT CERTIFIRE CF 377

Steel Screen



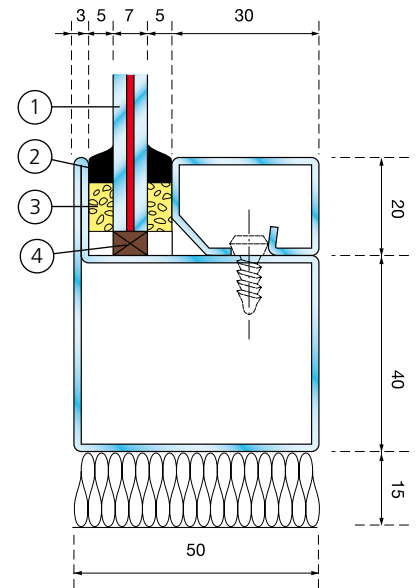
REPORT CERTIFIRE CF377

Steel Screen Jansen Economy 50



REPORT BRE CC89390

Steel Screen Forster Presto



REPORT IFC IFCA/97043A

- | | |
|----------------------------------|--|
| 1 Pyrobelite 7 | 7 Steel angle 20 x 20 x 3 mm |
| 2 Neutral silicone | 8 Steel screws 30 x 3 mm at 250 mm centres |
| 3 Ceramic fibre paper 5 mm thick | 9 Hardwood |
| 4 Setting block 4 mm thick | 10 Steel screw 38 x 4 mm at 270 mm centres |
| 5 Steel screw 50 mm long | 11 Wood or other approved constructions |
| 6 Steel tube 60 x 30 x 3 mm | 12 Steel plate 50 x 3 mm |

Diagrams for illustration purposes only. For full glazing details please refer to the relevant test report.

www.yourglass.com



GLASS UNLIMITED

Overseas markets : AGC Flat Glass Europe - Seneffe plant - Tel. : +32(0)64 51 05 19 - Fax : +32(0)64 55 80 80 - pyrobel@eu.agc-flatglass.com
 United Kingdom & Ireland : AGC Flat Glass United Kingdom - Tel. : +44(0)1788 535353 - Fax : +44(0)1788 560853 - sales.uk@eu.agc-flatglass.com

Good Morning July 2007/EN:ref.: 1129020