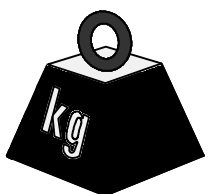
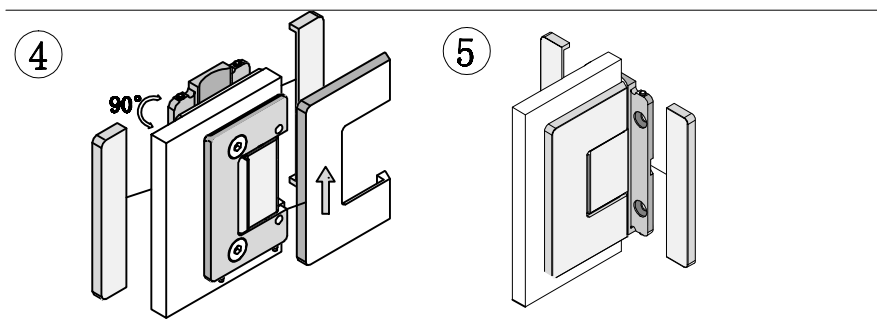
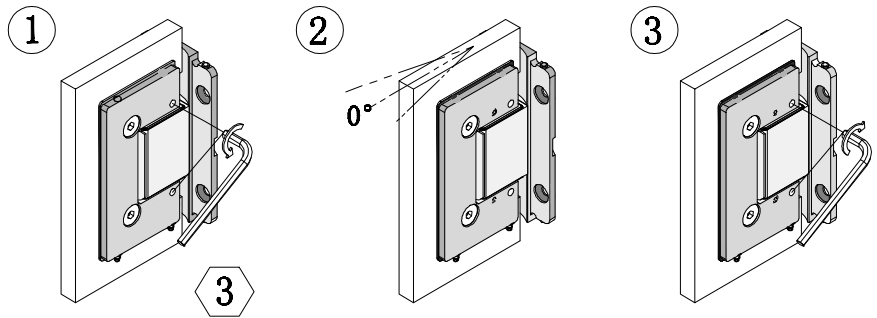
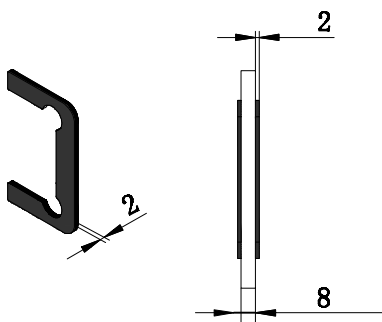
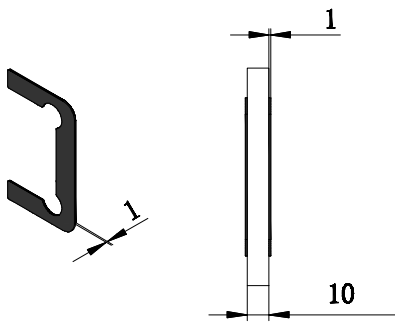
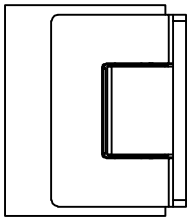
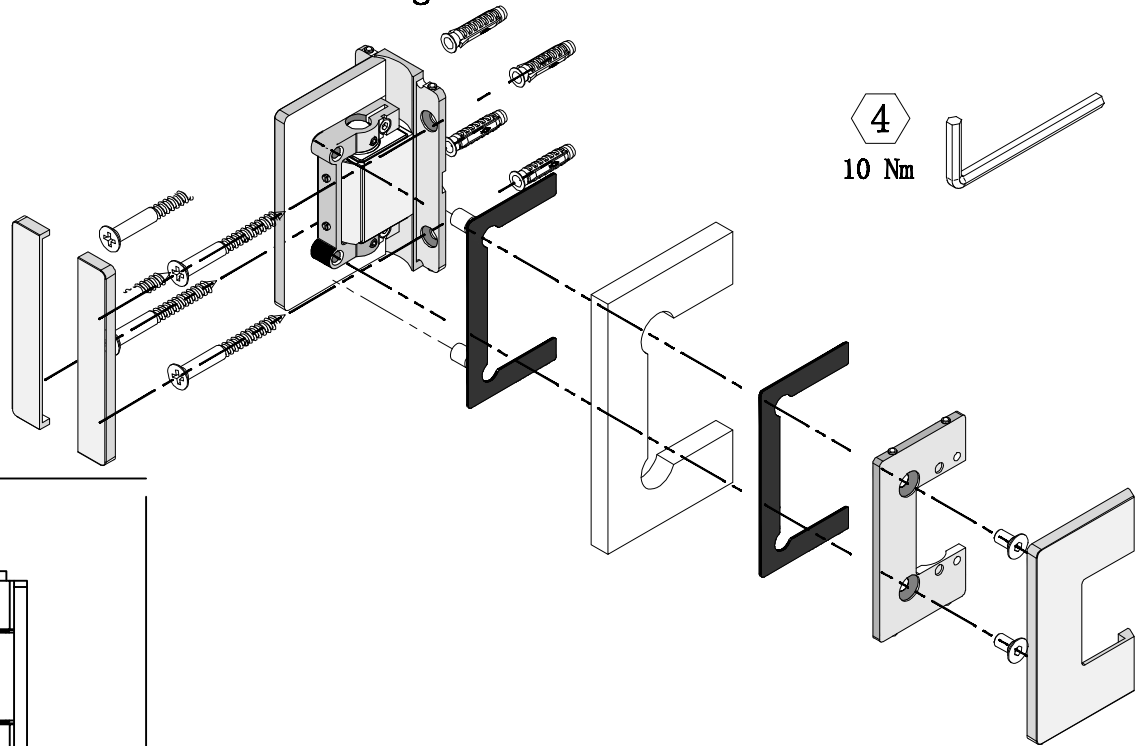
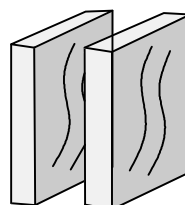


# Instruction Manual:

90 degree glass to wall shwer hinge with decorative cover.



40 kg



8, 10 mm